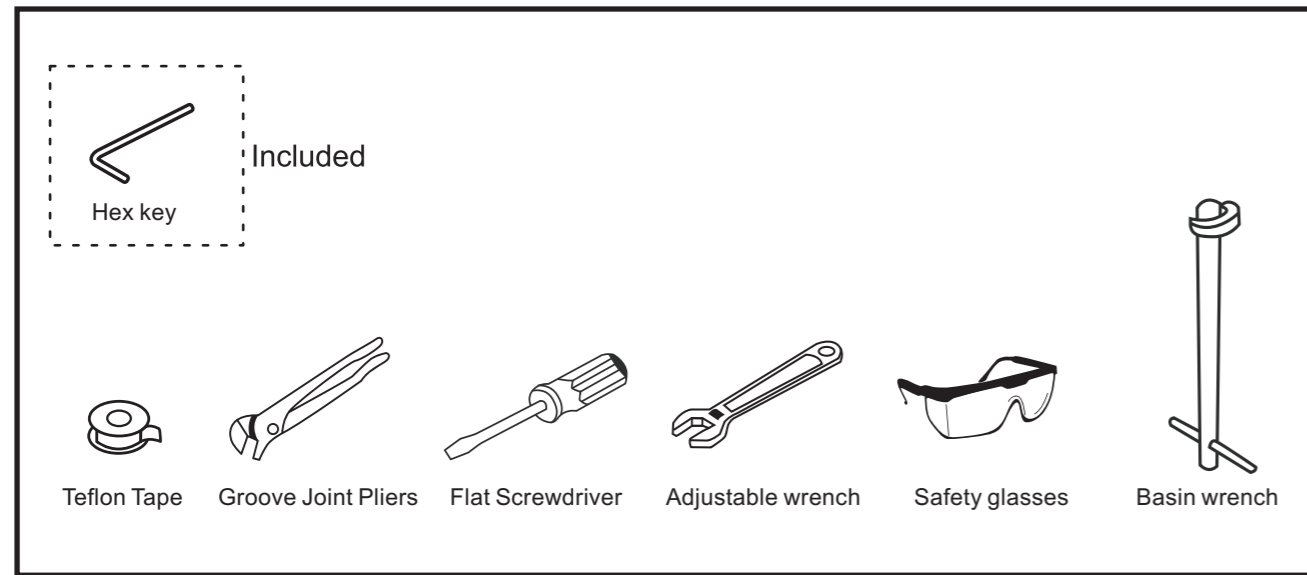


RECOMMENDED TOOLS



BLOSSOM

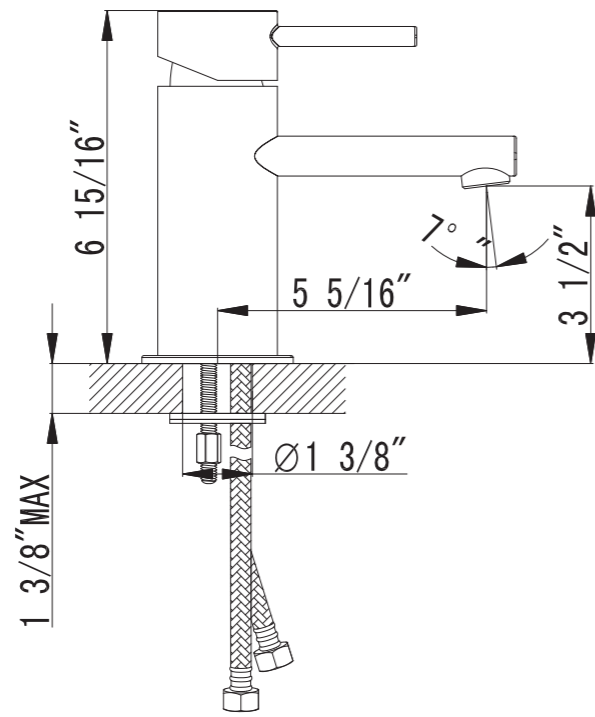


NSF

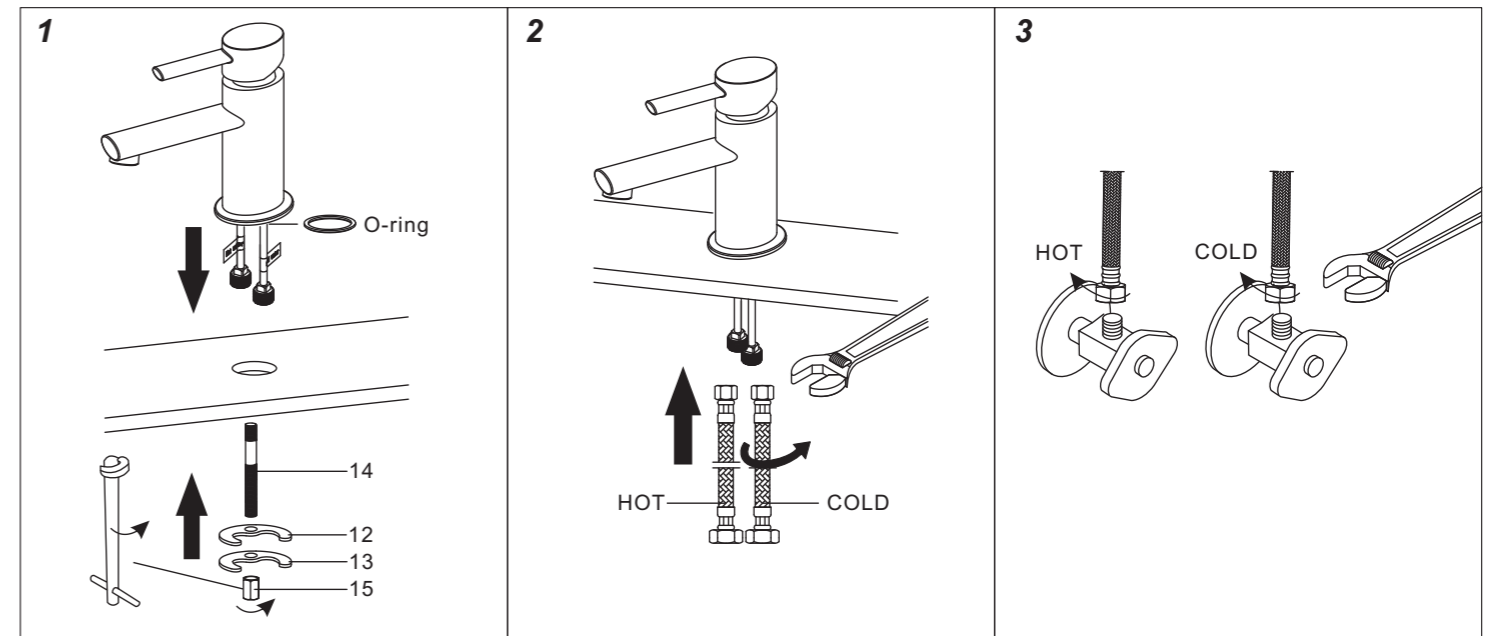


MODEL NO.:F01 113

DESCRIPTION:SINGLE HANDLE LAVATORY FAUCET

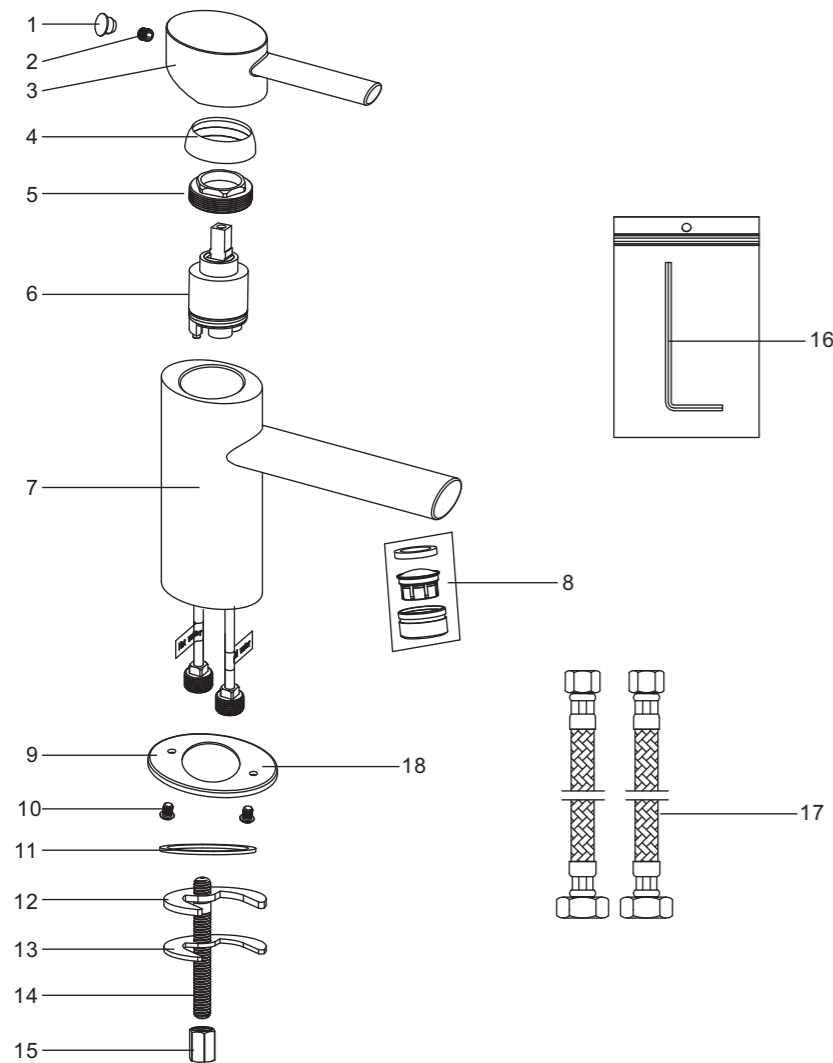


Faucet installation



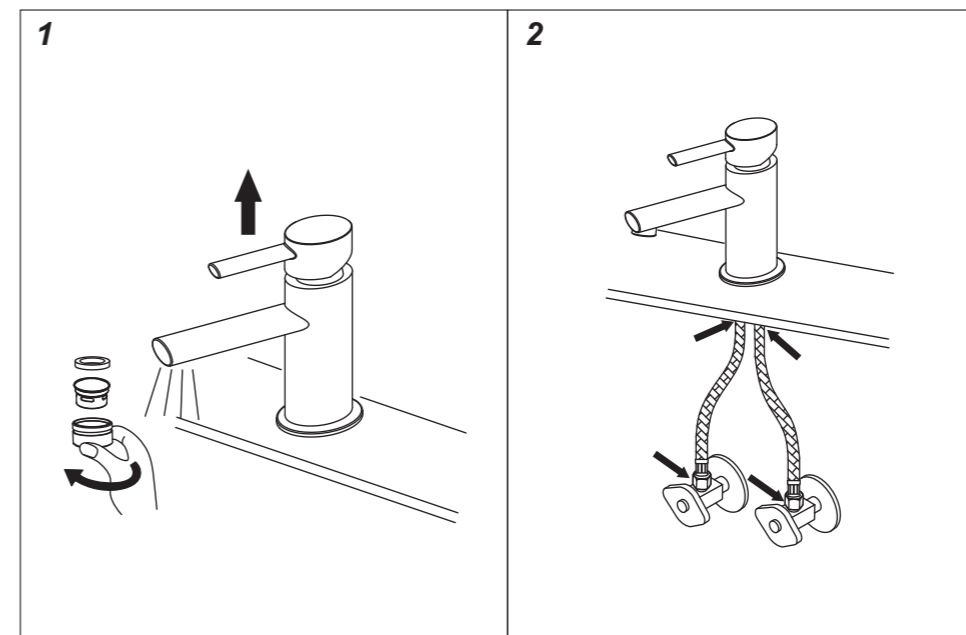
- Put the faucet into the installation hole of the basin. Make sure o-ring be on the base of faucet. Assemble screw #14 to the base of faucet, and assemble rubber washer #12 and clamp #13 to screw #14. Then assemble lock nut #15 by basin wrench to screw #14 to fix the faucet.
- Assemble the 2 flexible hose to the faucet with adjustable wrench.
- Connect the flexible hose to water supply valve (not included), and tighten it with adjustable wrench. **DON'T OVER TIGHTEN!**
Caution: make sure connect the hot and cold supply lines to supply valves correctly.
Warning: The supply valves are not included, please purchase them in plumbshop.

Parts list



NO.	PART NAME
1	Index
2	Screw
3	Handle
4	Trim cap
5	Cartridge lock nut
6	Cartridge
7	Body
8	Aerator assembly
9	Base
10	Screw
11	O-ring
12	Rubber washer
13	Clamp
14	Screw
15	Lock nut
16	Allen key
17	Flexible hose
18	Copper tube

Checking and testing



- Remove the aerator assembly by hand, turn the faucet handle all the way on, turn on hot and cold water supply and flush water lines for one minute. Reinstall aerator assembly by hand.
- Check all connections at arrows for leaks, re-tighten it if necessary. **BUT DON'T OVERTIGHTEN.**