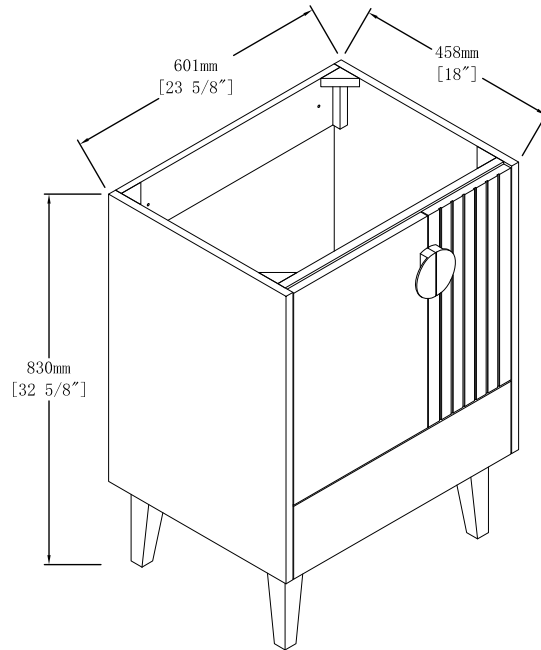
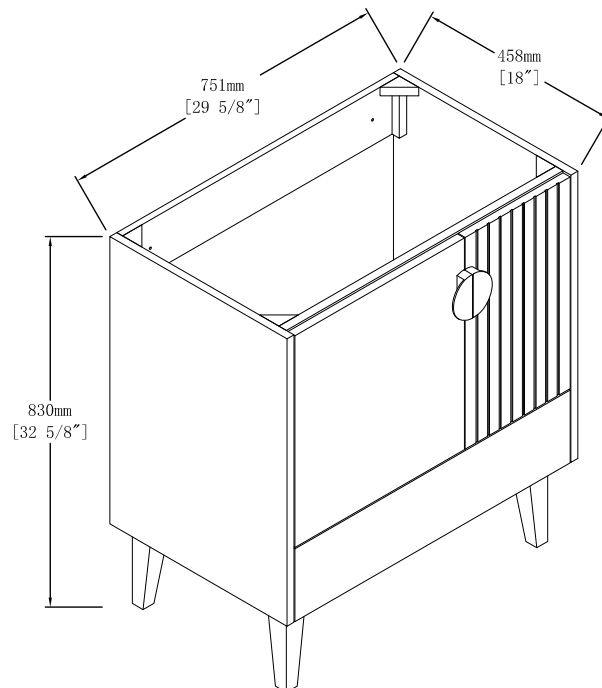




BLOSSOM[®]
luxury made simple



V8033-24



V8033-30

[**OSLO**]
Series Vanities

Specification & Installation Guide

Features

- Modern Design with multi finishes options.
- Soft-closing doors and drawers .
- Come with 2-1/2" thick edge Artificial Stone Basin.
- Compatible LED mirror or medicine cabinet.
- Door knobs come with 4 different finishes.(Chrome, Brushed Nickel, Matte Black and Brushed Gold).
- Easy installation.

Package Dimension

24" 28 1/8"x 22 1/4"x 33 1/4"

30" 33 7/8"x 22 1/4"x 33 1/4"

Colors / Finishes

MATT WHITE - 01

PASHM GREY - 15

SAGE GREEN - 10

NAVY BLUE - 25

Gross Weight

24" 106 LBS

30" 124 LBS

Sink Top Options

Vanities

24" V8033-24

30" V8033-30

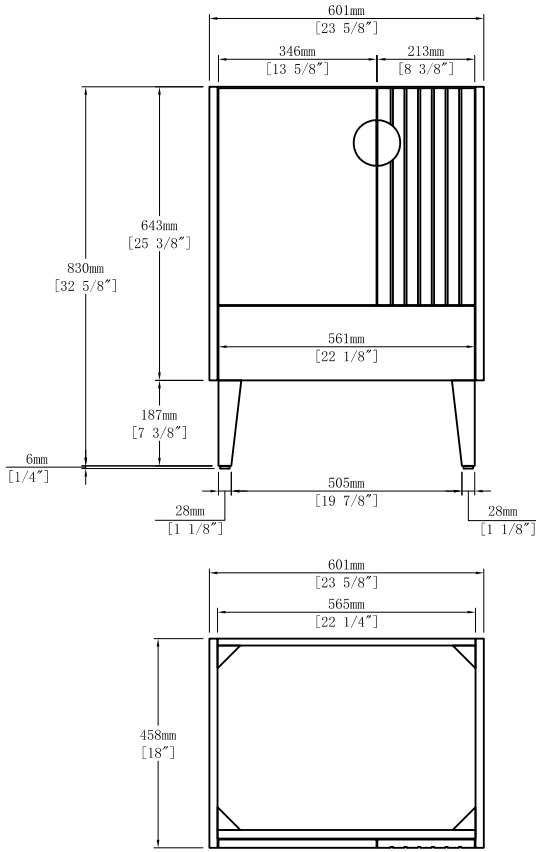
Artificial stone basin

A10 2418 25

A10 3018 25

24"

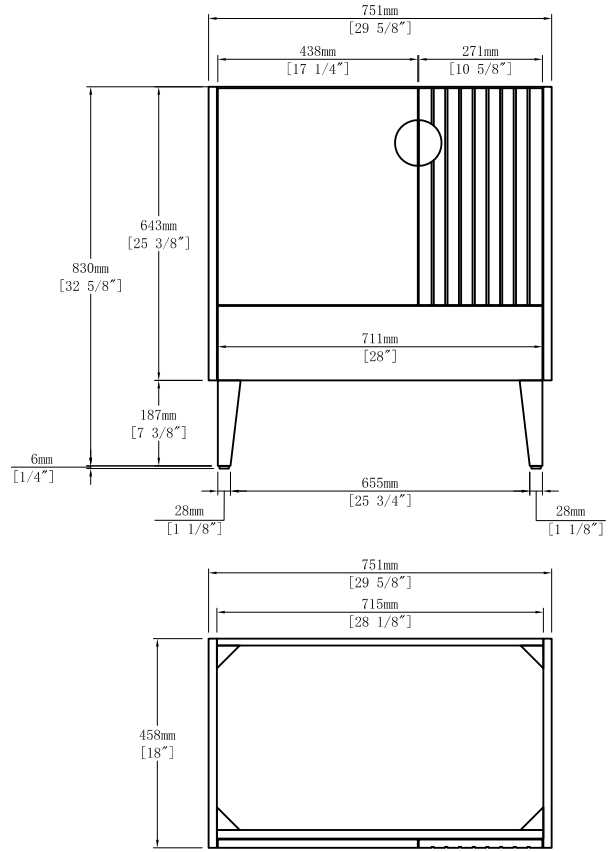
23-5/8"x18"x32-5/8"



TOP VIEW

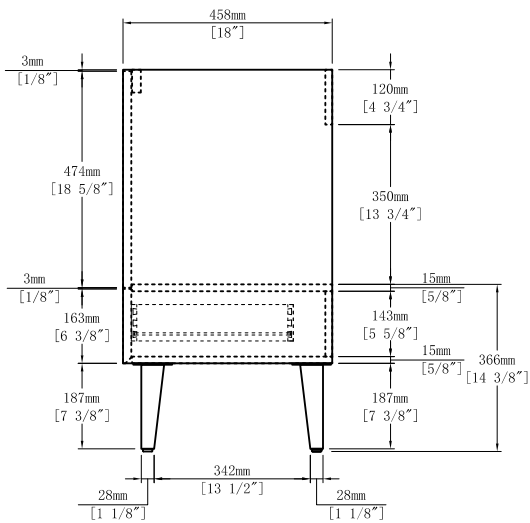
30"

29-5/8"x18"x32-5/8"



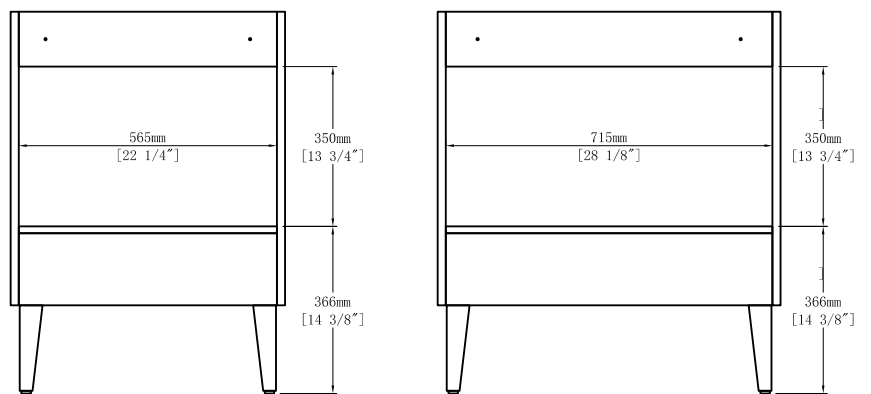
TOP VIEW

24"



SIDE VIEW

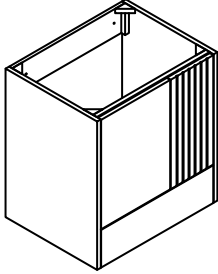
30"



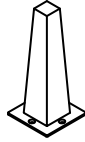
BACK VIEW

BACK VIEW

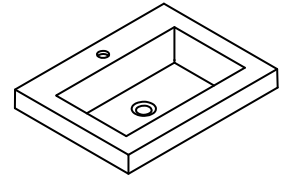
Parts List



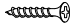
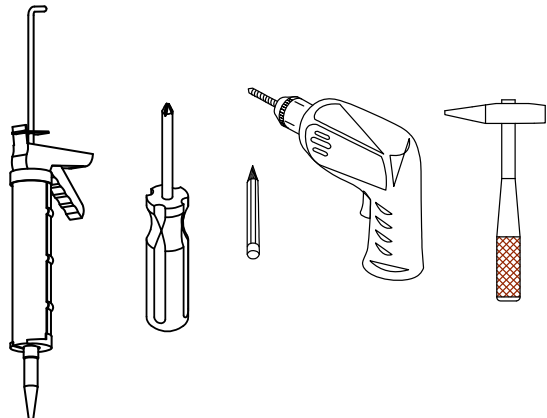





#1 x1



#2 x4

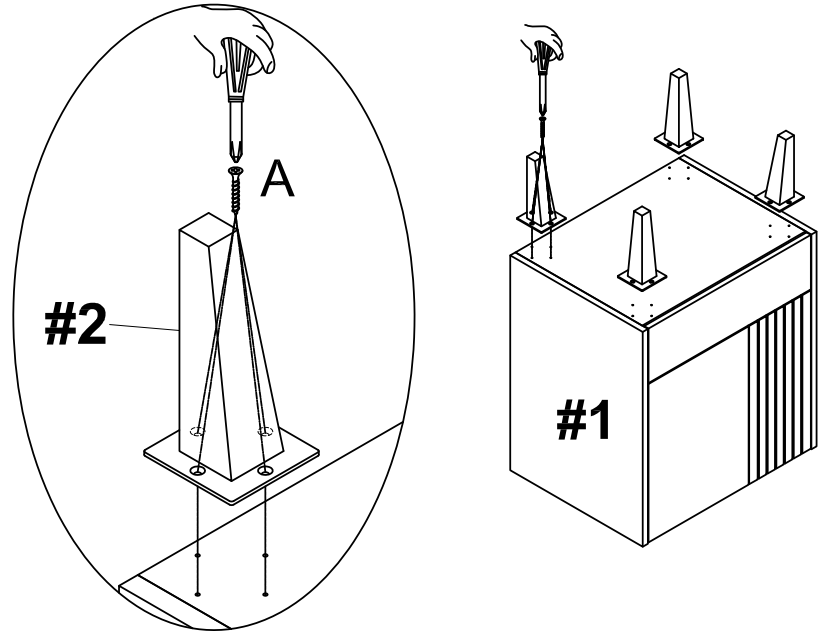


#3 x1

Hardware (Included)				Tools	
NO.		Draw	QTY		
A	Screws (M4*32mm)		16		
B	Screws (Ø5/32*25mm)		4		
C	Handle		2		
D	Adjust Screws		4		
E	White rubber plug(Ø10mm)		2		
F	Screws(M4*55mm)		2		

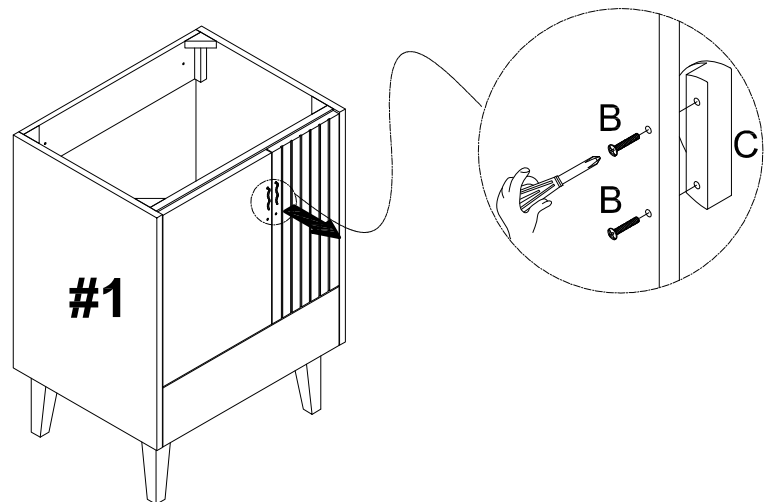
STEP 1

- Fix Part #2 to Part #1 by screws A.
- Make sure the straight side of the leg facing outside (It towards to side of the vanity).



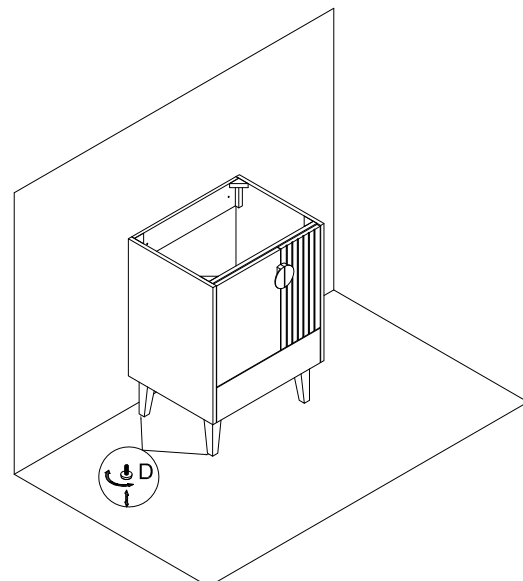
STEP 2

- Open the doors and install handles C to Part #1 by Screws B.



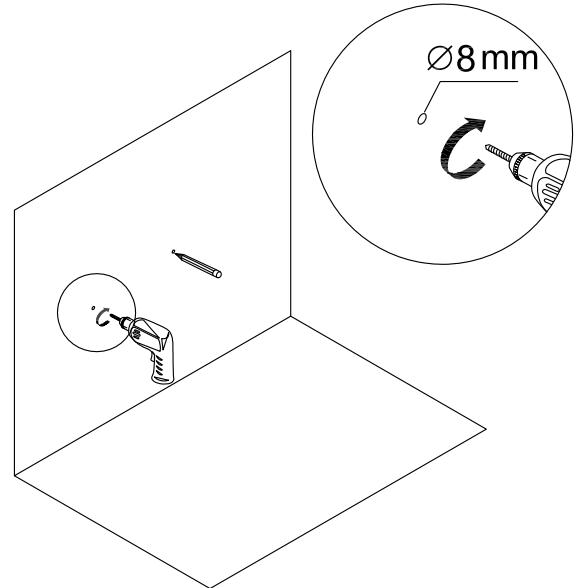
STEP 3

- Screw the adjusting screws into the holes at the bottom of the legs.
- The adjusting screw at the bottom of the legs can be raised 0-9/16" (0-15mm).



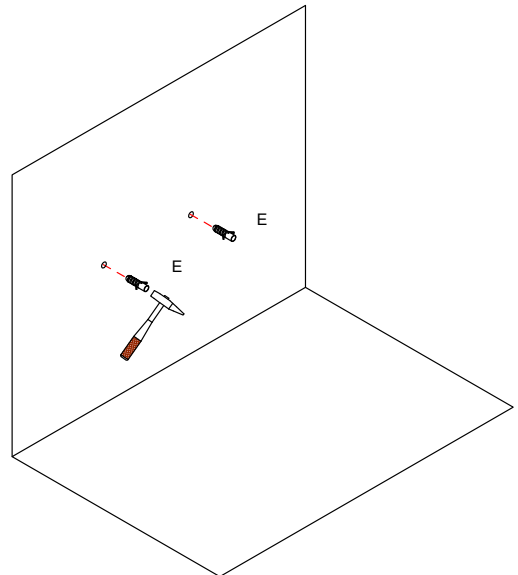
STEP 4

- Mark the pre-drilled holes with a pencil or marker after positioning and leveling the vanity with the adjusting screws on.
- Drill the holes with suitable drill-bits base on different conditions of the wall.



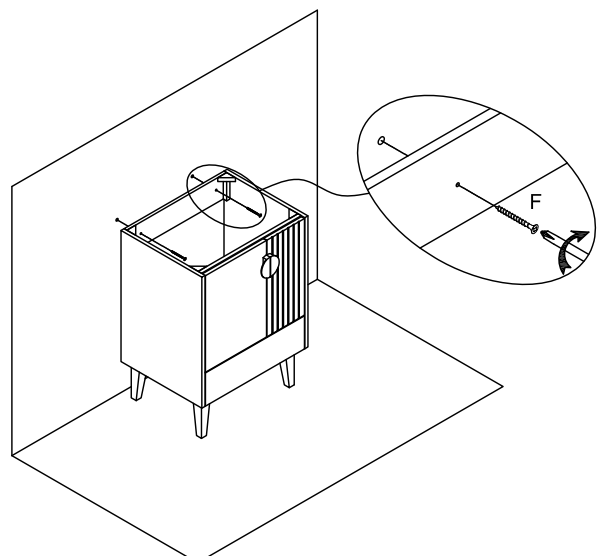
STEP 5

- White rubber plug for brick wall or concrete wall.



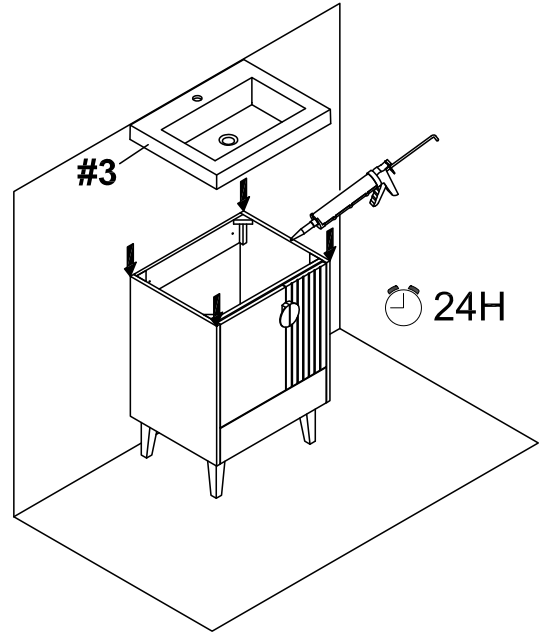
STEP 6

- Fix the cabinet to the wall with screw F.



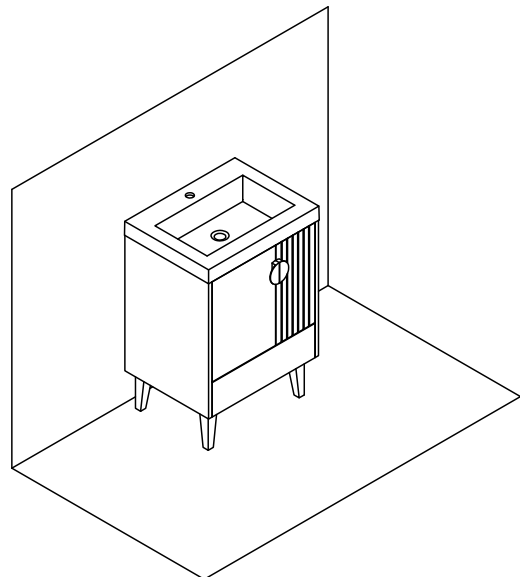
STEP 7

- Install the basin with silicone.



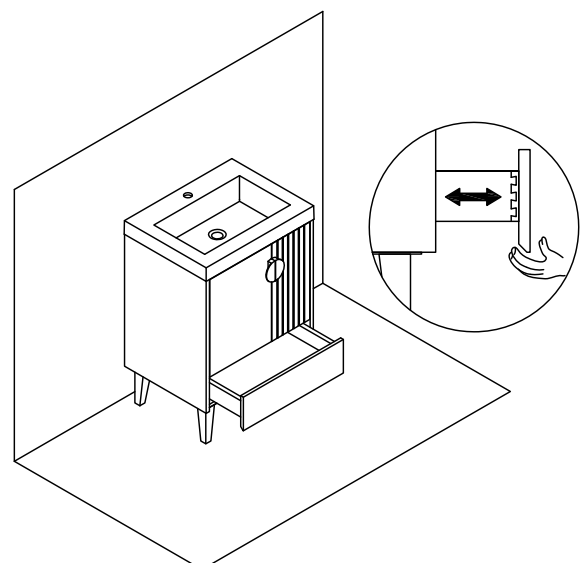
STEP 8

- Installation complete.



STEP 9

- Attention: drawer is open from the bevel edge at the bottom of the drawer front panel.





Blossom Kitchen & Bath Supply Corporation
(718)-366-0088 | sales@BlossomUS.com | www.BlossomUS.com

For clarification, please contact us at (718)-366-0088 or sales@BlossomUS.com
All dimensions are approximate and subject to standard tolerance. Specifications subject to change without prior notice.