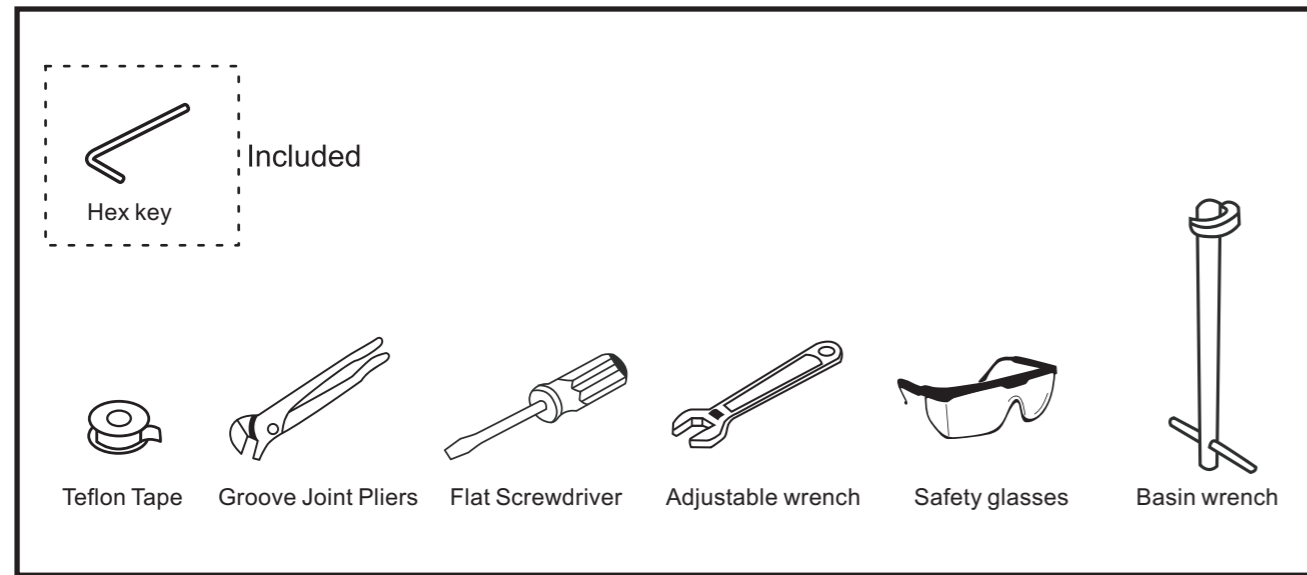


## RECOMMENDED TOOLS



# BLOSSOM

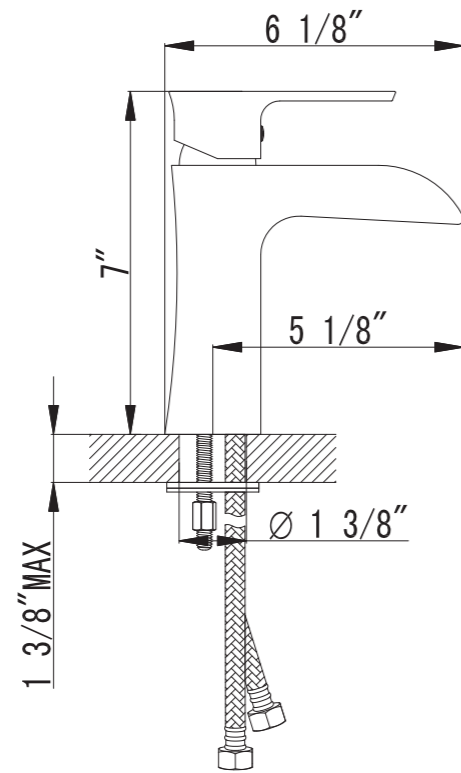


NSF

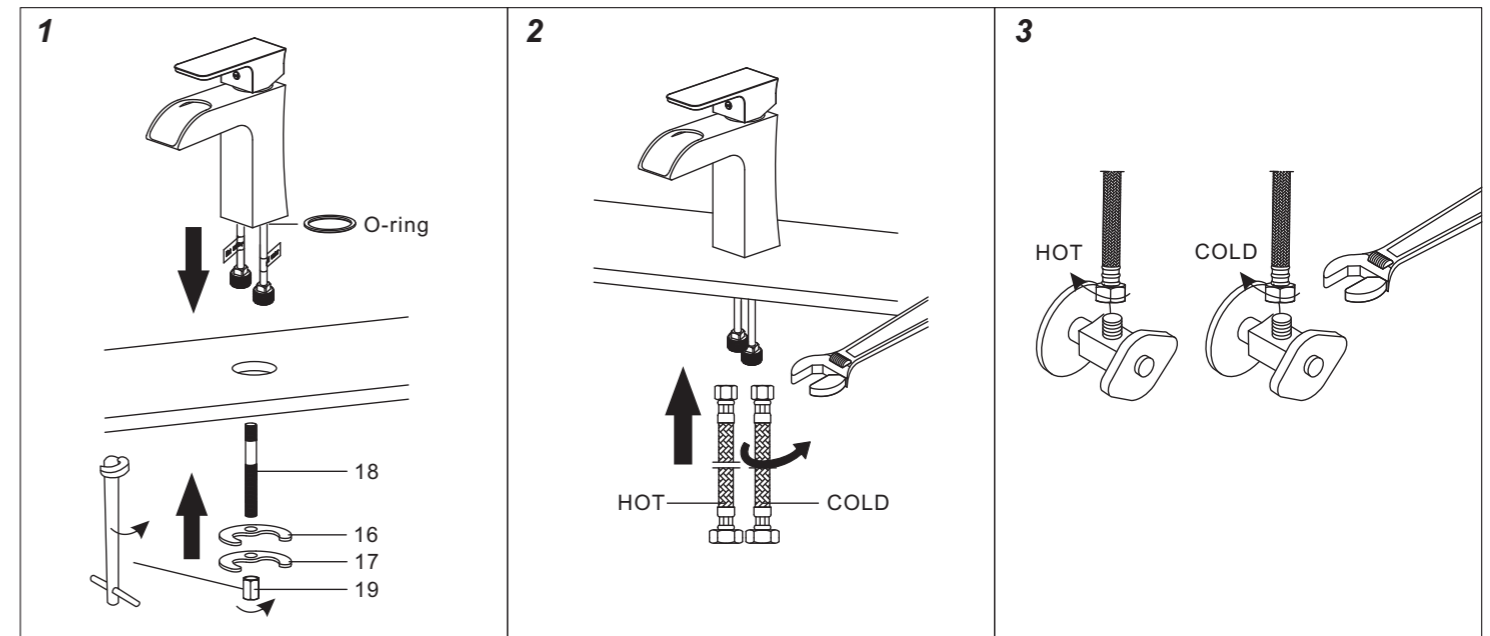


MODEL NO.:F01 103

DESCRIPTION:SINGLE HANDLE LAVATORY FAUCET

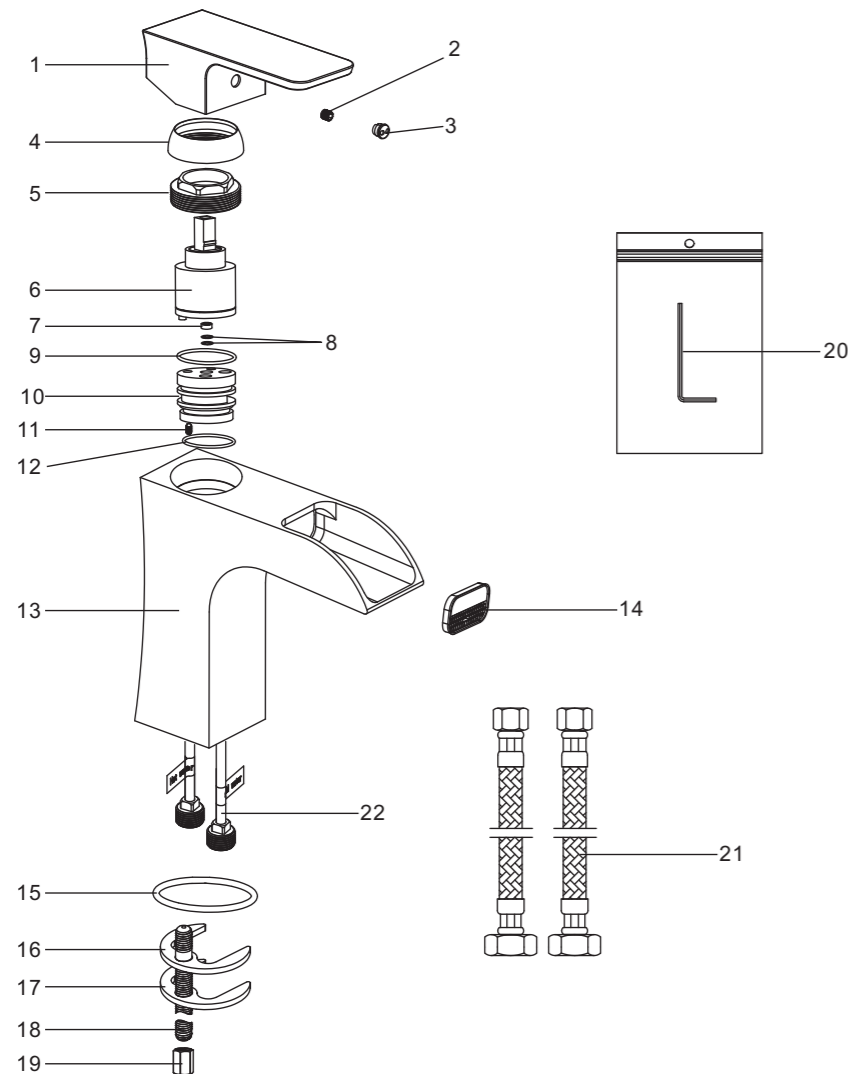


## Faucet installation



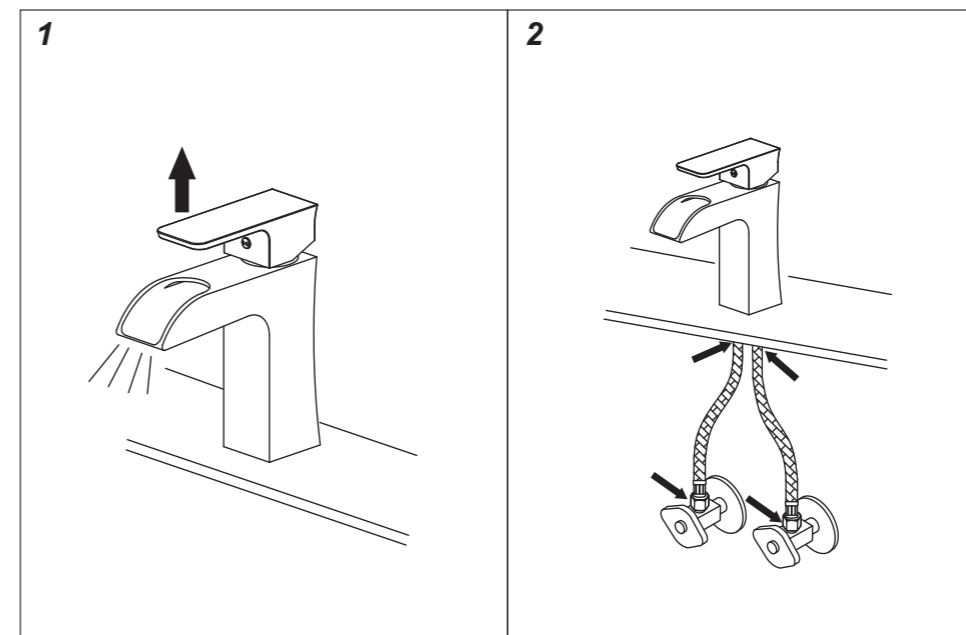
- Put the faucet into the installation hole of the basin. Make sure o-ring be on the base of faucet. Assemble screw #18 to the base of faucet, and assemble rubber washer #16 and clamp #17 to screw #18. Then assemble lock nut #19 by basin wrench to screw #18 to fix the faucet.
- Assemble the 2 flexible hose to the faucet with adjustable wrench.
- Connect the flexible hose to water supply valve (not included), and tighten it with adjustable wrench. **DON'T OVER TIGHTEN!**  
Caution: make sure connect the hot and cold supply lines to supply valves correctly.  
**Warning: The supply valves are not included, please purchase them in plumbshop.**

## Parts list



| NO. | PART NAME          |
|-----|--------------------|
| 1   | Handle             |
| 2   | Screw              |
| 3   | Index              |
| 4   | Trim cap           |
| 5   | Cartridge lock nut |
| 6   | Cartridge          |
| 7   | Flow restricter    |
| 8   | Screen filter      |
| 9   | O-ring             |
| 10  | Cartridge seat     |
| 11  | Screw              |
| 12  | O-ring             |
| 13  | Body               |
| 14  | Aerator            |
| 15  | O-ring             |
| 16  | Rubber washer      |
| 17  | Clamp              |
| 18  | Screw              |
| 19  | Lock nut           |
| 20  | Allen key          |
| 21  | Flexible hose      |
| 22  | Copper tube        |

## Checking and testing



- Turn the faucet handle all the way on, turn on hot and cold water supply and flush water lines for one minute.
- Check all connections at arrows for leaks, re-tighten it if necessary. **BUT DON'T OVERTIGHTEN**