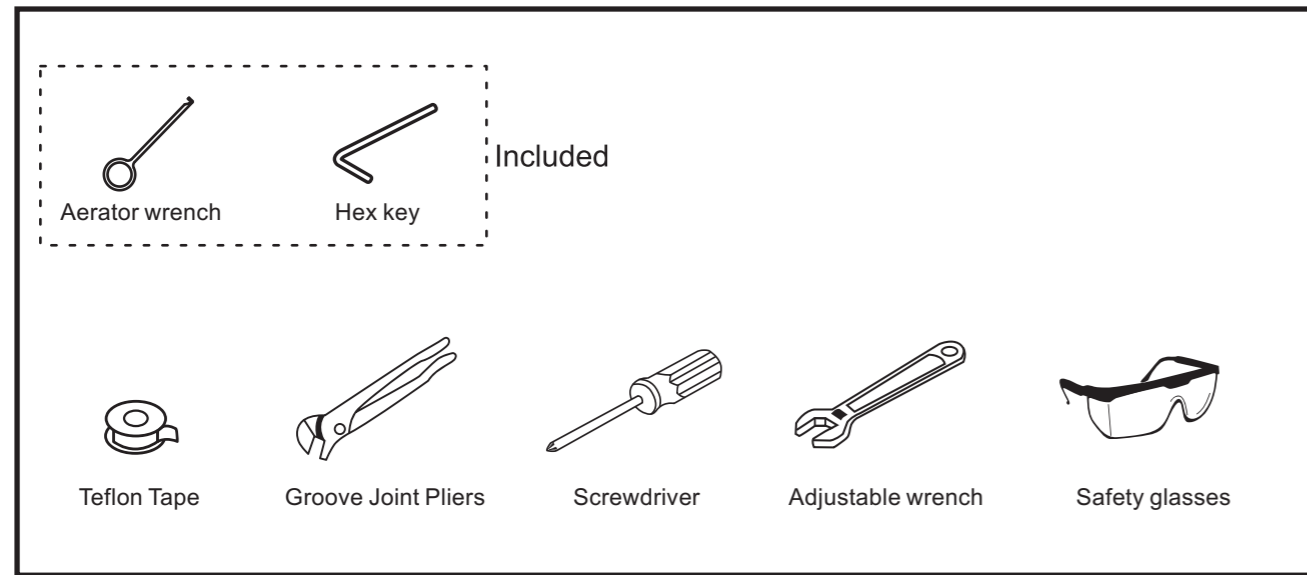


RECOMMENDED TOOLS

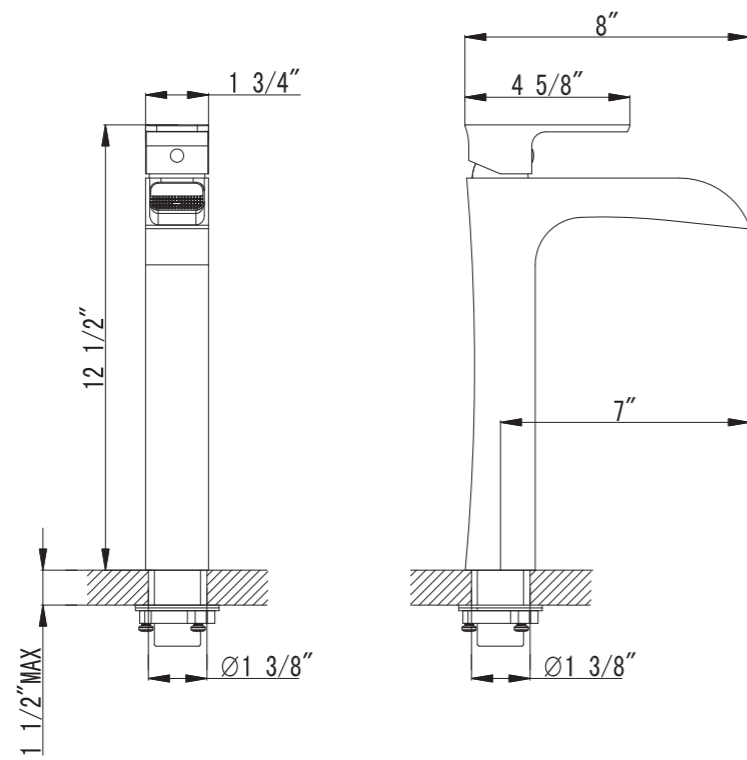


BLOSSOM

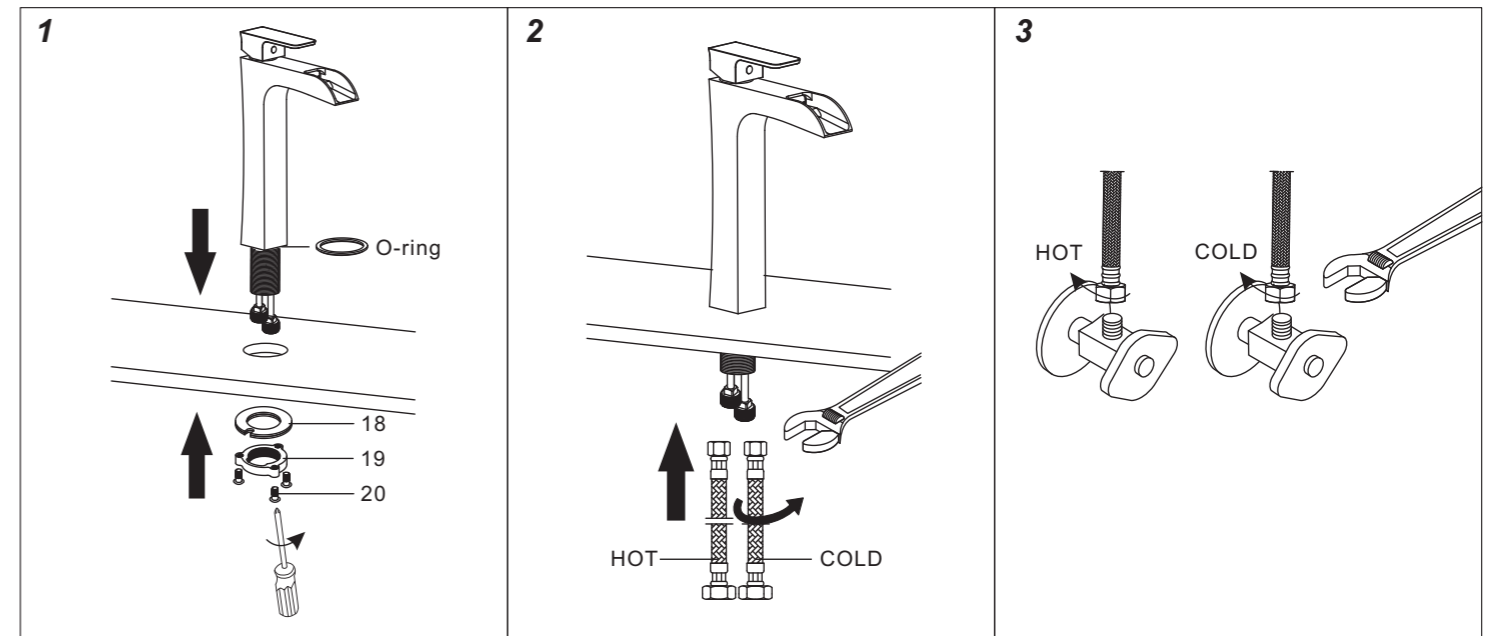


MODEL NO.:F01 104

DESCRIPTION:SINGLE HANDLE LAVATORY FAUCET

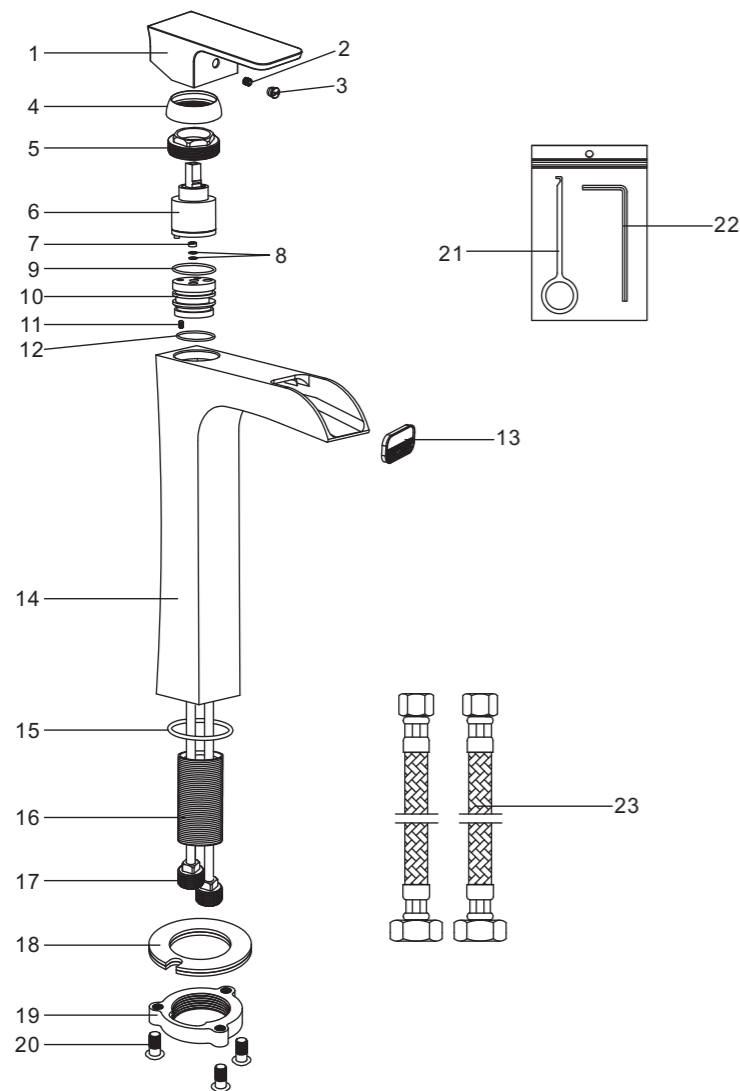


Faucet installation



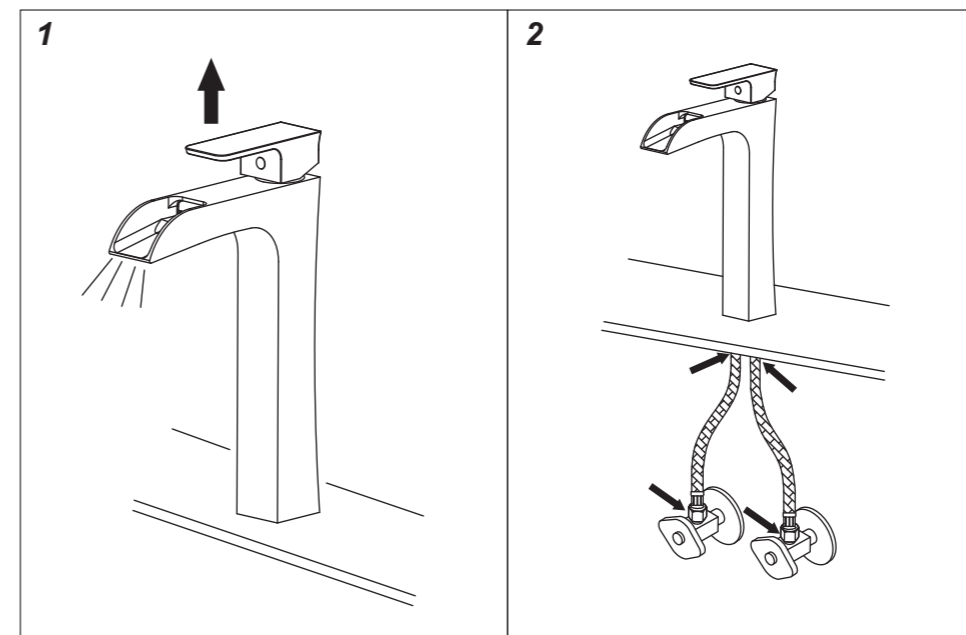
- Put the faucet into the installation hole of the basin. Make sure o-ring be on the base of faucet. Assemble gasket assembly #18 and lock nut #19 to the base of faucet. Fix the 3 screws #20 by screwdriver.
- Assemble the 2 flexible hose to the faucet with adjustable wrench.
- Connect the flexible hose to water supply valve (not included), and tighten it with adjustable wrench. **DON'T OVER TIGHTEN!**
Caution: make sure connect the hot and cold supply lines to supply valves correctly.
Warning: The supply valves are not included, please purchase them in plumbshop.

Parts list



NO.	PART NAME
1	Handle
2	Screw
3	Index
4	Trim cap
5	Cartridge lock nut
6	Cartridge
7	Flow restricter
8	Screen filter
9	O-ring
10	Cartridge seat
11	Screw
12	O-ring
13	Aerator
14	Body
15	O-ring
16	Threaded sleeve
17	Copper tube
18	Gasket assembly
19	Lock nut
20	Screw
21	Aerator wrench
22	Allen key
23	Flexible hose

Checking and testing



- Turn the faucet handle all the way on, turn on hot and cold water supply and flush water lines for one minute.
- Check all connections at arrows for leaks, re-tighten it if necessary. **BUT DON'T OVERTIGHTEN**